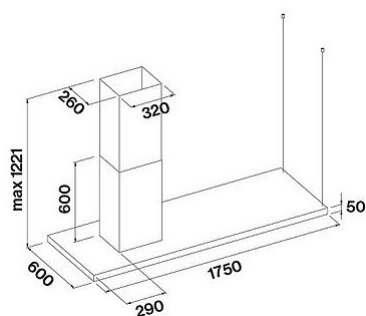


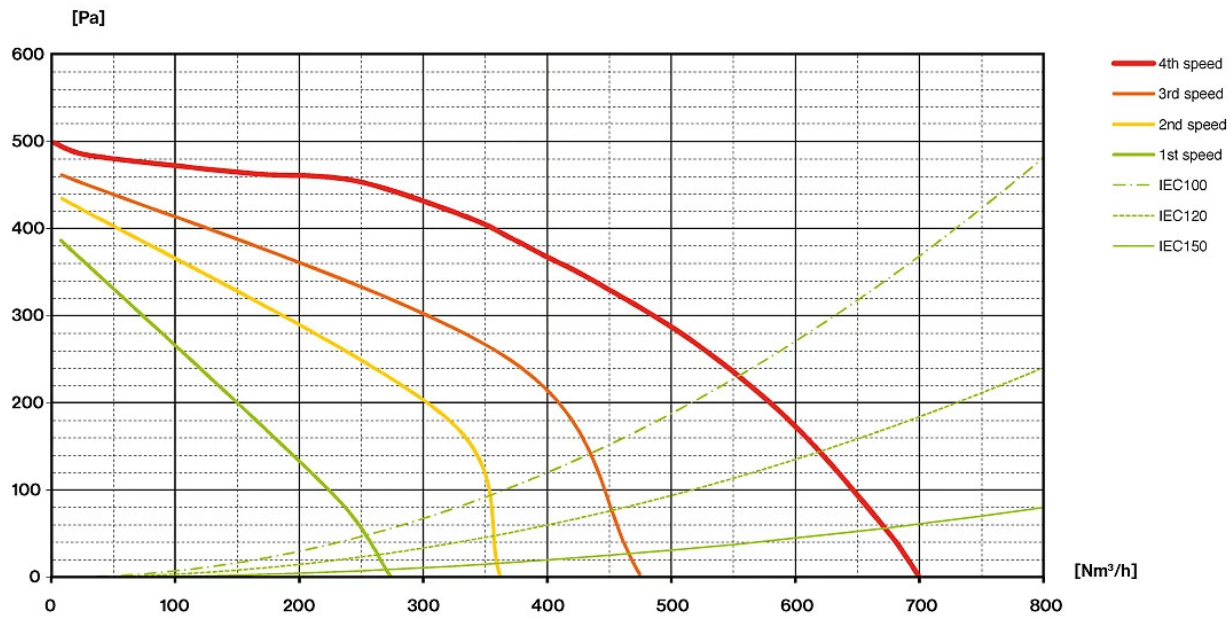
Versiune	Lumen Island 175 - Stânga
Design	Falmec Lab Design Scotch brite stainless steel (AISI 304) Aspirație perimetrală Lumină ambientală LED
Control	Panou de control electronic Dialogue system cu mod automat
Modul	
Masca pentru tubulatura	Disponibil cu coș de fum stânga
Illuminat	Bandă LED Strip led (4000K)
Filters	Filtru de grăsime din metal, detașabil și lavabil Filtru Regenerable Carbon.Zeo Microtech (opțional)
Dimensions	175 cm 52 cm 64 cm
Notes	Availability Carbon.Zeo filter KACL.1039 for hoods produced from Sept. 2024; From 27.01.2026 the Dialogue System control is included.
Tensiune/frecvență	280 W 220-240V 50-60Hz
Motor	800 m ³ /h 670 m ³ /h I.E.C.61591 61 dB (A)re1pW I.E.C. 60704-2-13 C
Net Weight	59 kg 48 kg 0.66 m ³ L 1905 x H 477 x P 725 mm

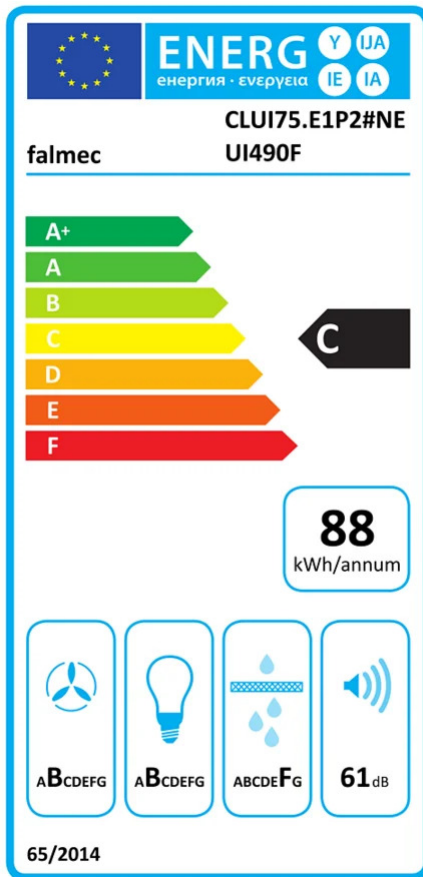


**Accessorii optionale**

Code	Description
KACL.1039	Filtru Regenerabil Carbon.Zeo Microtech
KACL.557#I	Extensie H1200 Island - Inox
KACL.866	Transportoare pentru versiuni cu filtru (Island)
KACL.815	Șervețel de protecție pentru suprafețe din oțel inoxidabil (cutie 10 buc.)

Viteza motorului	1	2	3	4
	49	55	61	67
	270	360	470	670
	390	420	460	500
	134	156	180	215
leșire aer	150	150	150	150





PF		
S	Falmec Lab	
M	Lumen Isola 175 - Stânga	
AEC	87.80	kWh/a
EEC	C	
FDE	25.50	
FDEC	B	
LE	24.00	
LEC	B	
GFE	53	
GFEC	F	
Qmin	270	m ³ /h
Qmax	470	m ³ /h
Qboost	670	m ³ /h
SPEmin	49	dBa
SPEmax	61	dBa
SPEboost	67	dBa
PO		
PS	0.48	W
PI		
F	1.10	
EEL	74.40	
Qbep	333	m ³ /h
Pbep	407	Pa
Qboost	670	m ³ /h
Wbep	147.7	W
WL	39.00	W
Emiddle	937	lux
Lwa-SPEmax	61	dBa

PF_Scheda prodotto conforme a 65/2014 S_Supplier name / M_Model identification / AEC_Annual Energy Consumption (AEC hood) / EEC_Energy Efficiency class / FDE_Fluid Dynamic Efficiency (FDE hood) / FDEC_Fluid Dynamic Efficiency class / LE_Lighting Efficiency (LE hood) / LEC_Lighting Efficiency class / GFE_Grease Filtering Efficiency / GFEC_Grease Filtering Efficiency class / Qmin_Air flow (in m³/h) at min speed in normal use / Qmax_Air flow (in m³/h) at max speed in normal use / Qboost_Air flow (in m³/h) at intensive or boost setting (max air-flow) / SPEmin_Airborne acoustical A-weighted sound power emissions at min speed in normal use / SPEmax_Airborne acoustical A-weighted sound power emissions at max speed in normal use / SPEboost_Airborne acoustical A-weighted sound power emissions (in dB) at intensive or boost setting / P0_Power consumption in off mode (Po) / Ps_Power consumption in stand by mode (Ps).

PI_Additional information according to 66/2014 Calculation methods: EN 61591:2020 F_Time increase factor / EEL_Energy Efficiency Index / Qbep_Measured air flow rate at best efficiency point / Pbep_Measured air pressure at best efficiency point / Qboost_Maximum air flow / Wbep_Measured electric power input at best efficiency point / WL_Nominal power of the lighting system / Emiddle_Average illumination of the lighting system on the cooking surface / Lwa=SPEmax_Sound pressure level at the highest speed.